



■ Some of the photos may include optional equipment.

HYUNDAI MATERIAL HANDLING Applied Tier 4 Engine

# 35L/40L/45L/50L-7A



Head Office (Sales office)  
First tower, 55, Bundang-ro, Bundang-gu, Seongnam-si, Gyeonggi-do, Korea

PLEASE CONTACT

[www.hyundai-mh.com](http://www.hyundai-mh.com)

2020.07 Rev. 11



# NEW criteria of Forklift Trucks

Hyundai introduces a new line of 7A series LPG forklift trucks. Excellent power and performance make your business more profitable.



### OPSS (Operator Presence Sensing System)

Control of mast tilting, lifting and lowering is not possible through operation of the appropriate control when the operator is not in the seated position.

■ Some of the photos may include optional equipment.

## The new master on the job-site!

Smooth running, efficient and ergonomically designed, 35/40/45/50L-7A series are made to meet your needs.

**77kW/2,300rpm**



### Powerful Engine GM 4.3L V6 Engine

Market approved quality of GM 4.3L V6 engine ensures incomparable performance, durability and additional value to the machine. Powerful and efficient engine provides excellent fuel economy and excellent torque for improved operation.  
(EPA/CARB Tier-IV Certified)

### Fast and Stable Performance

Being able to quickly raise and lower the mast, as well as tilt it forward and backward, provides the best operational conditions during unloading.

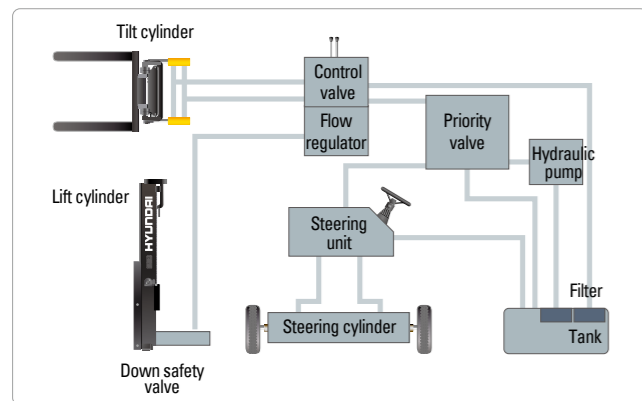
When the truck is fully loaded, mast lowering speed is carefully controlled to ensure safety by the down control valve.

Mast(Lift and Tilt) Look System is standard.



**High Power  
Low Noise**

Some of the photos may include optional equipment.



### State-of-the-art Hydraulic System

The latest large-capacity hydraulic system reacts quickly during operation, and a low-noise control valve increases both efficiency and durability.



### Fully Hydrostatic Power Steering

A hydraulic steering system always guarantees smooth and flexible steering, preventing overrun and kick-back.



### Increased Mast Tilting Angle

Utilizing the mast tilting angle of 8 degrees forward and 10 degrees backward, the operator can safely and rapidly perform loading and unloading jobs.

### Faster Travel Speed & Better Gradability

The powerful high-output engine provides greater acceleration, better gradability and faster travel speed on any tough terrains or slopes.



### Gradability(Loaded)

35L-7A : 40.5%    45L-7A : 31.2%  
40L-7A : 35.8%    50L-7A : 28.6%

### Travel Speed(Unloaded)

35L-7A : 23.7 km/h  
40L-7A : 22.9 km/h  
45L-7A : 22.9 km/h  
50L-7A : 22.8 km/h

## Ergonomic operator friendly compartment design!

A design based on human engineering relieves fatigue and increases operator's efficiency.

### Operator Friendly Gauges and Water-resistant Monitor Panel



- 1 Parking brake lamp
- 2 Directional indicators
- 3 Fuel warning lamp
- 4 Engine oil warning lamp
- 5 Transmission oil temperature warning lamp
- 6 Battery charging warning lamp
- 7 Air cleaner filter warning light
- 8 Working light indicator
- 9 Water temperature gauge
- 10 Fuel gauge
- 11 Hour meter
- 12 Engine check lamp
- 13 Brake oil warning lamp
- 14 Seat belt warning
- 15 OPS warning (option)



### New High Visibility for Safe Operation

The operator is able to work with increased safety and accuracy due to a wider view mast.

### Full suspension seat

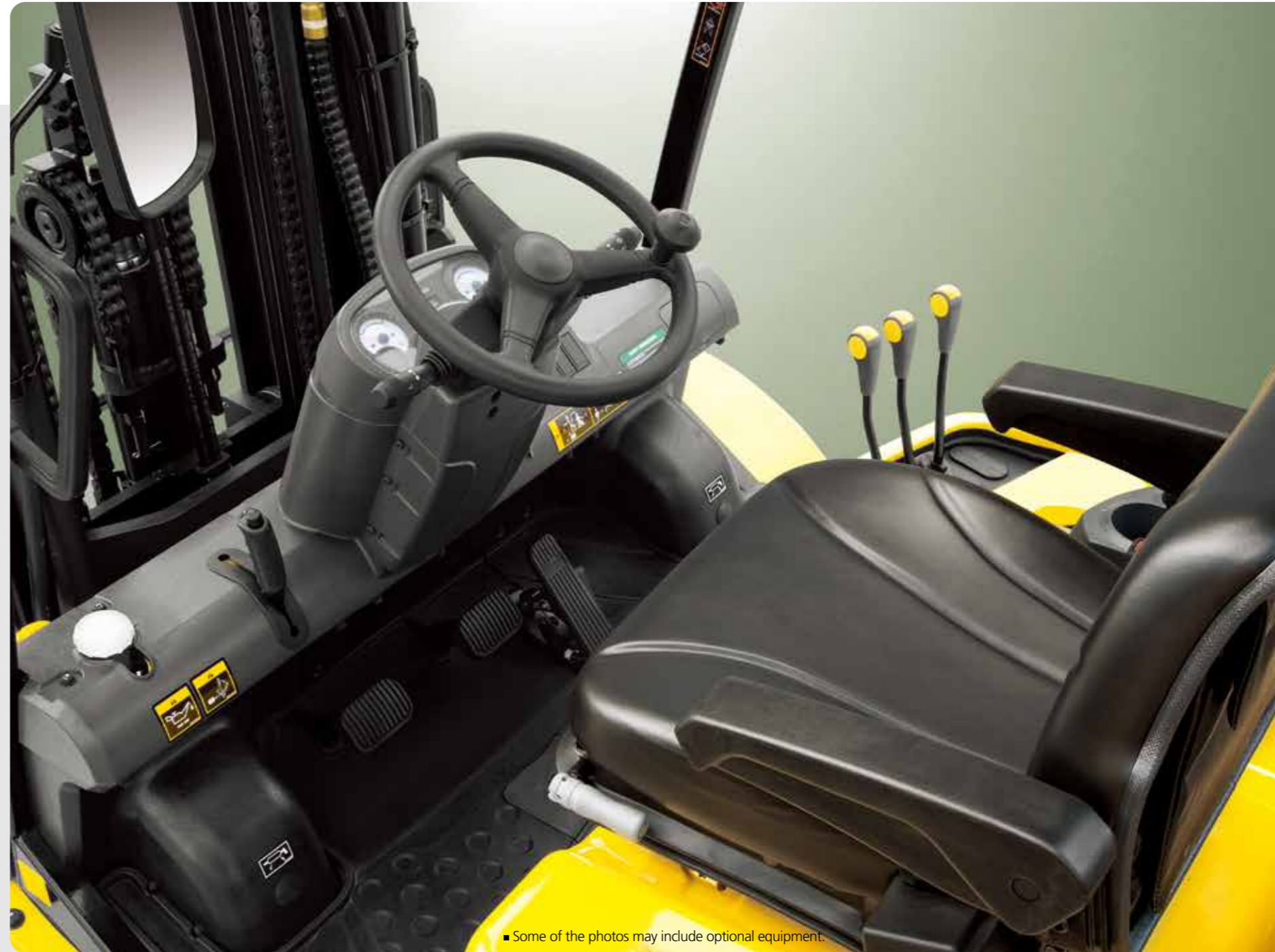


An attractive and adjustable seat, based on a human engineering design, provides great comfort, safety and durability.

### Grammer Seat (Option)



- Quick Achievement of the Ergonomically Best Sitting Position
- Asymmetrical Backrest
- Movable Armrests
- Seat Heating
- Practical Document Box



Some of the photos may include optional equipment.



### Ergonomically Positioned Pedals

Based on human engineering, the accelerator, brake and inching pedals are optimally positioned for convenience while operating the equipment.



### Cup Holder & Console Box

Additional storage spaces are located inside the operating space for operator's convenience.



### Quick Response of Operating Control Levers

Only minimal operator's effort is required for precise, safe and productive control.



### Adjustable Steering Wheel

Steering wheel with horn button can be adjusted by a lever on the right-hand side for the most comfortable operator position.



### Easy and Safe Shift Lever

A single lever on the left side of the steering column gives the operator fast, easy control of direction. The lever must be in the neutral position before the engine can be started.



### Secondary Horn

Secondary Horn gives access to lights and horn.

## Danger-free through high durability!

Safety and durability are priorities in design of the equipment.



### Strong Overhead Guard

The safety overhead guard meets ISO 6055 regulation and protects the operator during hazardous jobs.



### Parking brake

Ratchet type parking brake requires less effort the operator to set.



### Highly Durable Split type Drive Axle

The planetary reduction drive axle smoothly delivers desired torque to the drive wheels.



■ Some of the photos may include optional equipment.



### Large Footboard & Hand Grip

Wide "open" step offers convenience and safety when entering and exiting truck.



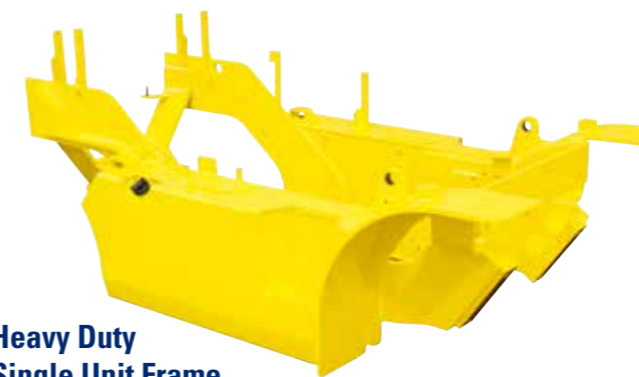
### Expansion Bellows

The expansion bellows absorbs vibration and reduces noise generated from the exhaust system and also extends the life cycle of exhaust system.



### Electrically Monitored Air Filter

Air cleaner sensor alerts the operator of a restricted air filter and allows replacement before damage.



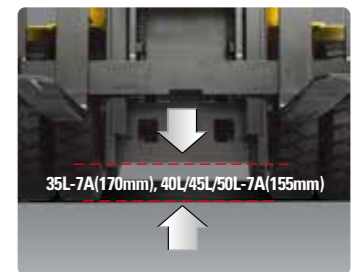
### Heavy Duty Single Unit Frame

Heavy duty single unit type frame, designed on the basis of accurate structural analysis, guarantees durability and safety.



### Bright, Protected Headlights

Bright, Protected head lights are positioned for exceptional visibility.



### Ground Clearance

The engine and transmission are assembled horizontally and positioned high in the frame to protect major components during operation on rugged surface.

35L-7A(170mm), 40L/45L/50L-7A(155mm)

## Designed for quick and easy service!

An ideal arrangement of component parts ensures easy access and convenience for maintenance.



### Easy Change Air Cleaner

The air filter is readily accessible for cleaning or replacement. (6inch Cyclone Type)



### Fast Service Access for Daily Fluids Check



### Easy access of electrical Components

Various electric parts are centralized in dash board resulting in improvement in maintenance.



### Easy Maintenance Oil Check

The T/M oil level can be checked easily without any disassembly.



### Brake Fluid Reservoir with level switch

When the oil level becomes lower than Min, the warning lamp on the cluster lights on.



### An Accessible, Compact Fuse Box for Easy Inspection



### Maintenance Free Battery



### Aluminum Radiator with Superb Protection Against heat



### Removable Side Panels for Ease of Service

**Mast Specification**

**35L-7A**

Mast Type	Maximum Fork Height	Overall Height (Lowered)			Free Lift Height		Tilt Angle		Load Capacity without Side Shift at 600mm LC		Load Capacity with Side Shift at 600mm LC		Truck Weight (Unloaded)	
		Single Tire	Double Tire	With Backrest	With / o Backrest	Fwd	Bwd	Single Tire	Double Tire	Single Tire	Double Tire	Single Tire	Double Tire	
		mm	mm	mm	mm	deg	deg	kg	kg	kg	kg	kg	kg	
2-Stage Limited Free Lift	V270	2720	2085	2070	120	120	8	10	3500	3500	3500	3500	5563	5718
	*V300	3020	2235	2220	120	120	8	10	3500	3500	3500	3500	5593	5748
	V330	3320	2385	2370	120	120	8	10	3500	3500	3500	3500	5631	5786
	V350	3520	2535	2520	120	120	8	10	3500	3500	3450	3450	5654	5809
	V370	3720	2635	2620	120	120	8	10	3500	3500	3400	3400	5674	5829
	V400	4020	2845	2830	120	120	8	10	3500	3500	3350	3350	5717	5871
	V430	4320	2995	2980	120	120	8	10	3500	3500	3300	3300	5747	5901
	V450	4520	3095	3080	120	120	8	6	3450	3450	3250	3250	5829	5984
	V500	5020	3345	3330	120	120	8	6	3350	3350	3150	3150	5880	6035
2-Stage Full Free Lift	VF280	2805	2135	2120	1258	919	6	8	3500	3500	3500	3500	5604	5756
	VF300	3005	2235	2220	1358	1019	6	8	3500	3500	3500	3500	5630	5782
	VF315	3155	2325	2310	1448	1109	6	8	3500	3500	3450	3500	5650	5802
3-Stage Full Free Lift	TF/TS370	3730	2035	2020	812	1139	8	8	3500	3500	3350	4000	5820	5975
	TF/TS400	4030	2135	2120	912	1239	8	8	3450	3500	3300	3350	5850	6005
	TF/TS430	4330	2235	2220	1012	1339	8	8	3400	3450	3250	3300	5881	6036
	TF/TS450	4510	2295	2280	1072	1399	8	8	3350	3400	3200	3250	5900	6055
	TF/TS470	4720	2385	2370	1162	1489	8	8	3300	3350	3150	3200	5936	6091
	TF/TS500	5020	2485	2470	1262	1589	8	8	3250	3300	3100	3150	5960	6114
	TF/TS550	5520	2665	2650	1442	1769	8	6	3100	3200	2850	3000	6021	6175
	TF/TS600	6030	2845	2830	1622	1949	8	6	2600	3100	2450	2900	6089	6244
	TF/TS650	6540	3025	3010	1812	2139	8	6	2500	3000	2350	2800	6131	6285

**40L-7A**

Mast Type	Maximum Fork Height	Overall Height (Lowered)			Free Lift Height		Tilt Angle		Load Capacity without Side Shift at 600mm LC		Load Capacity with Side Shift at 600mm LC		Truck Weight (Unloaded)	
		Single Tire	Double Tire	With Backrest	With / o Backrest	Fwd	Bwd	Single Tire	Double Tire	Single Tire	Double Tire	Single Tire	Double Tire	
		mm	mm	mm	mm	deg	deg	kg	kg	kg	kg	kg	kg	
2-Stage Limited Free Lift	V270	2720	2085	2070	120	120	8	10	4000	4000	4000	4000	6027	6133
	*V300	3020	2235	2220	120	120	8	10	4000	4000	4000	4000	6057	6163
	V330	3320	2385	2370	120	120	8	10	4000	4000	4000	4000	6095	6201
	V350	3520	2535	2520	120	120	8	10	4000	4000	3950	3950	6118	6224
	V370	3720	2635	2620	120	120	8	10	4000	4000	3900	3900	6138	6244
	V400	4020	2845	2830	120	120	8	10	4000	4000	3800	3800	6181	6287
	V430	4320	2995	2980	120	120	8	10	3950	4000	3750	3750	6211	6317
	V450	4520	3095	3080	120	120	8	6	3900	3950	3700	3700	6293	6399
	V500	5020	3345	3330	120	120	8	6	3750	3850	3550	3600	6344	6450
2-Stage Full Free Lift	VF280	2805	2135	2120	1258	919	8	8	4000	4000	4000	4000	6068	6171
	VF300	3005	2235	2220	1358	1019	8	8	4000	4000	4000	4000	6094	6197
	VF315	3155	2325	2310	1448	1109	8	8	4000	4000	4000	4000	6114	6216
3-Stage Full Free Lift	TF/TS370	3730	2035	2020	812	1139	8	8	4000	4000	3850	3850	6284	6355
	TF/TS400	4030	2135	2120	912	1239	8	8	4000	4000	3750	3750	6314	6385
	TF/TS430	4330	2235	2220	1012	1339	8	8	3900	3950	3730	3730	6345	6416
	TF/TS450	4510	2295	2280	1072	1399	8	8	3900	3950	3700	3700	6364	6435
	TF/TS470	4720	2385	2370	1162	1489	8	8	3850	3900	3600	3650	6400	6471
	TF/TS500	5020	2485	2470	1262	1589	8	8	3750	3750	3500	3550	6423	6494
	TF/TS550	5520	2665	2650	1442	1769	8	6	3600	3650	3350	3450	6485	6555
	TF/TS600	6030	2845	2830	1622	1949	8	6	3050	3500	2900	3300	6553	6624
	TF/TS650	6530	3025	3010	1797	2124	8	6	2900	3350	2750	3150	6595	6665

**Mast Specification**

**45L-7A**

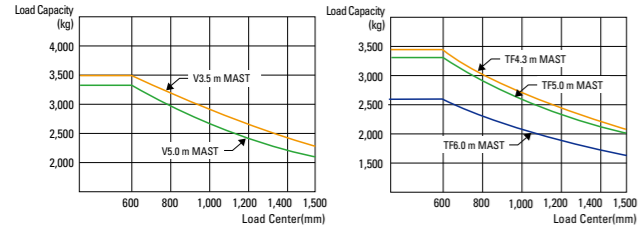
Mast Type	Maximum Fork Height	Overall Height (Lowered)			Free Lift Height		Tilt Angle		Load Capacity without Side Shift at 600mm LC		Load Capacity with Side Shift at 600mm LC		Truck Weight (Unloaded)	
		Single Tire	Double Tire	With Backrest	With / o Backrest	Fwd	Bwd	Single Tire	Double Tire	Single Tire	Double Tire	Single Tire	Double Tire	
		mm	mm	mm	mm	deg	deg	kg	kg	kg	kg	kg	kg	
2-Stage Limited Free Lift	V270	2720	2085	2070	120	120	8	10	4500	4500	4500	4500	6440	6549
	*V300	3020	2235	2220	120	120	8	10	4500	4500	4500	4500	6470	6579
	V330	3320	2385	2370	120	120	8	10	4500	4500	4450	4450	6508	6617
	V350	3520	2535	2520	120	120	8	10	4500	4500	4400	4400	6531	6640
	V370	3720	2635	2620	120	120	8	10	4500	4500	4350	4300	6551	6660
	V400	4020	2845	2830	120	120	8	10	4500	4500	4250	4250	6594	6702
	V430	4320	2995	2980	120	120	8	10	4400	4400	4150	4150	6624	6732
	V450	4520	3095	3080	120	120	8	6	4350	4350	4100	4100	6706	6815
	V500	5020	3345	3330	120	120	8	6	4200	4250	4000	4000	6757	6866
2-Stage Full Free Lift	VF280	2805	2135	2120	1258	919	8	8	4500	4500	4500	4500	6476	6585
	VF300	3005	2235	2220	1358	1019	8	8	4500	4500	4500	4500	6502	6611
	VF315	3155	2325	2310	1448	1109	8	8	4500	4500	4500	4500	6521	6630
3-Stage Full Free Lift	TF/TS370	3730	2035	2020	812	1139	8	8	4500	4500	4250	4300	6697	6808
	TF/TS400	4030	2135	2120	912	1239	8	8	4450	4450	4200	4250	6727	6838
	TF/TS430	4330	2235	2220	1012	1339	8	8	4350	4350	4100	4150	6758	6869
	TF/TS450	4510	2295	2280	1072	1399	8	8	4300	4300	4050	4100	6777	6888
	TF/TS470	4720	2385	2370	1162	1489	8	8	4250	4250	4000	4000	6813	6925
	TF/TS500	5020	2485	2470	1262	1589	8	8	4150	4200	3900	3900	6836	6948
	TF/TS550	5520	2665	2650	1442	1769	8	6	4000	4050	3650	3800	6898	7009
	TF/TS600	6030	2845	2830	1622	1949	8	6	3300	3900	3100	3650	6966	7077
	TF/TS650	6530	3025	3010	1786	2104	8	6	3200	3750	3000	3550	7008	7119

**50L-7A**

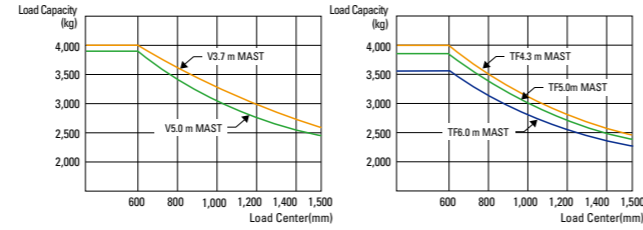
Mast Type	Maximum Fork Height	Overall Height (Lowered)			Free Lift Height		Tilt Angle		Load Capacity without Side Shift at 600mm LC		Load Capacity with Side Shift at 600mm LC		Truck Weight (Unloaded)	
		Single Tire	Double Tire	With Backrest	With / o Backrest	Fwd	Bwd	Single Tire	Double Tire	Single Tire	Double Tire	Single Tire	Double Tire	
		mm	mm	mm	mm	deg	deg	kg	kg	kg	kg	kg	kg	
2-Stage Limited Free Lift	V260	2630	2085	2070	120	120	8	10	5000	5000	5000	5000	6906	7018
	*V290	2930	2235	2220	120	120	8	10	5000	5000	4950	4950	6931	7043
	V320	3230	2385	2370	120	120	8	10	5000	5000	4850	4850	6956	7068
	V340	3430	2535	2520	120	120	8	10	5000	5000	4800	4800	6981	7093
	V360	3630	2635	2620	120	120	8	10	5000	5000	4750	4750	6998	7109
	V390	3930	2845	2830	120	120	8	10	4900	5000	4650	4650	7033	7145
	V440	4430	3095	3080	120	120	8	6	4750	4800	4450	4500	7136	7248
	V490	4930	3345	3330	120	120	8	6	4600	4650	4300	4350	7178	7290
	2-Stage Full Free Lift	VF270	2697	2135	2120	905	1223	8	8	5000	5000	5000	5000	6924
VF290		2897	2235	2220	1005	1323	8	8	5000	5000	4950	4950	6949	7061
VF305		3047	2325	2310	1095	1413	8	8	5000	5000	4900	4900	6967	7079

### Load Capacity

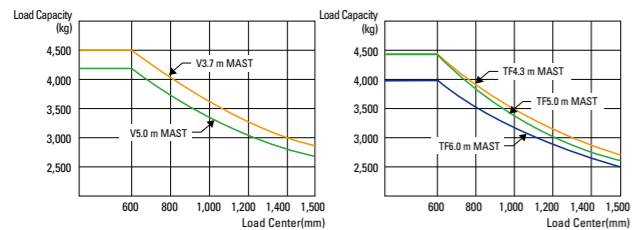
35L-7A



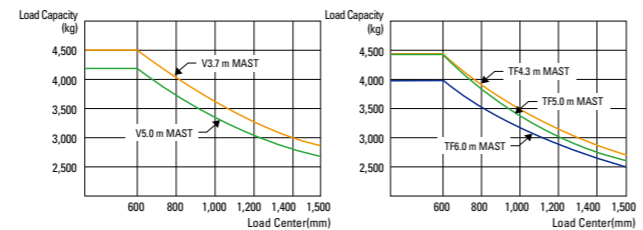
40L-7A



45L-7A



50L-7A



### Optional Items

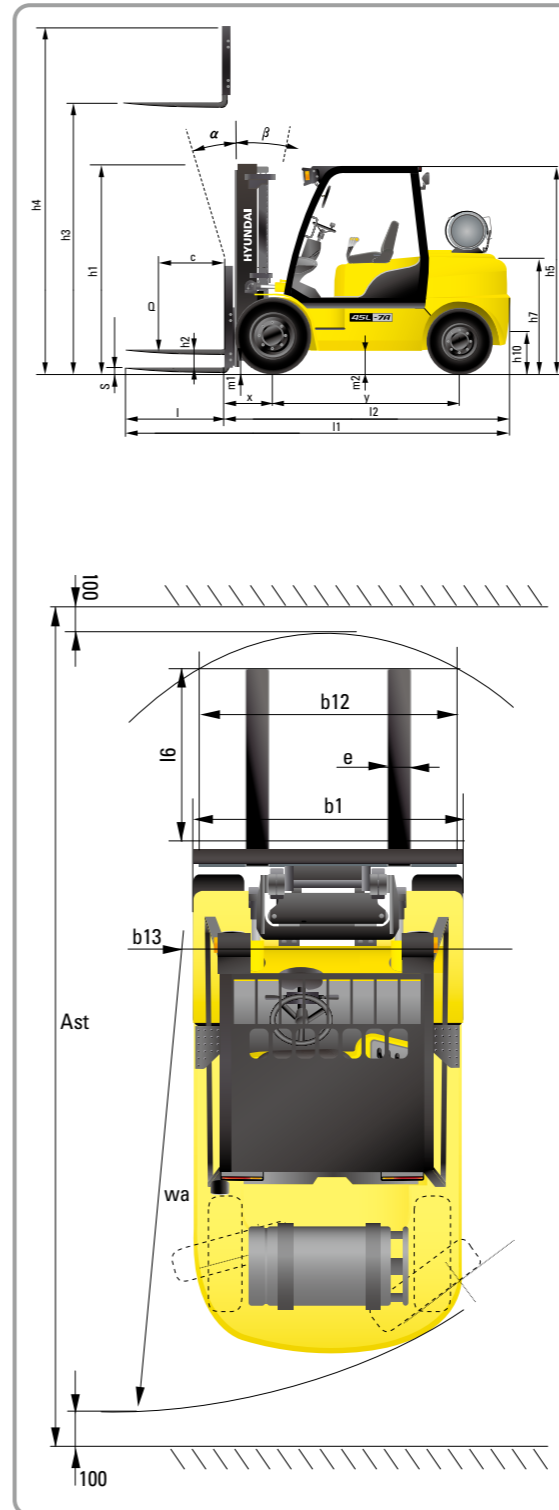
- CABIN
- SIDE SHIFT
- INTEGRAL FORK POSITIONER
- FORK (MM)

- 35L-7A (HOOK TYPE)**  
· 1220, 1370, 1520, 1670, 1820, 1970, 2120, 2400
- 40L-7A (SHAFT · HOOK TYPE)**  
· 1070, 1370, 1520, 1670, 1820, 1970, 2120
- 45L-7A (HOOK TYPE)**  
· 1220, 1370, 1520, 1670, 1820(Class III, IV), 1970(Class IV), 2200

- 45L-7A (SHAFT TYPE)**  
· 1220, 1370, 1520, 1670, 1820, 1970
- 50L-7A (HOOK TYPE)**  
· 1350, 1500, 1800, 2000, 2400
- **TILTING** : 8/6°, 8/8°
- **TIRE** : Solid, No-marking, Double
- **SEAT** : Arm Rest, Seat Belt, Grammer(opt)
- **LPG CLAMP** : Swing Out
- **M.C.V** : 4-Spool
- **ATTACH PIPING** : 3 Spool-piping, 4 Spool-piping
- **MASTER SWITCH**

- **BEACON LAMP**
- **HAZARD SWITCH**
- **BRAKE PEDAL**  
Hydraulic Booster (w/o Accumulator)
- **OPSS(TRAVEL/TRAVEL + MAST)**
- **INTEGRAL SHAFT TYPE CARRIAGE** : 4.0/4.5Ton

### Dimension



### Specification

Identification						
1.1	Manufacturer	Hyundai	Hyundai	Hyundai	Hyundai	
1.2	Manufacturer's type designation	35L-7A	40L-7A	45L-7A	50L-7A	
1.3	Drive: electric (battery or mains),diesel,petrol,fuel gas,manual	LP	LP	LP	LP	
1.4	Type of operation:hand,pedestrian,standing,seated,order-picker	seated	seated	seated	seated	
1.5	Load capacity / rated load	Q (kg)	3,500	4,000	4,500	5,000
1.6	Load center distance	c (mm)	600	600	600	600
1.8	Load distance, center of drive axle to fork	x (mm)	561	561	561	576
1.9	Wheelbase	y (mm)	2,000	2,000	2,000	2,000
Weights						
2.1	Service weight	kg	5,593	6,163	6,579	7,043
2.2	Axle loading, loaded front/rear	kg	8,166 / 927	9,094 / 1,069	9,891 / 1,188	10,716 / 1,372
2.3	Axle loading, unloaded front/rear	kg	2,634 / 2,959	2,772 / 3,391	2,779 / 3,800	2,814 / 4,229
Wheels, Chassis						
3.1	Tires:solid rubber, superplastic, pneumatic, polyurethane	Pneumatic	Pneumatic	Pneumatic	Pneumatic	
3.2	Tires size, front( width x φ )	8.25 x 15 x 14pr	7.50 x 16 x 12pr	7.50 x 16 x 12pr	7.50 x 16 x 12pr	
3.3	Tires size, rear( width x φ )	7.00 x 12 x 14pr	7.00 x 12 x 14pr	7.00 x 12 x 14pr	7.00 x 12 x 14pr	
3.5	Wheels, number front x rear (x=driven wheels)	2 x 2	4 x 2	4 x 2	4 x 2	
3.6	Track width, front	b10 (mm)	1,132	1,282	1,282	1,282
3.7	Track width, rear	b11 (mm)	1,140	1,140	1,140	1,140
Basic Dimensions						
4.1	MAST / fork carriage tilt forward / backward (α / β )	degrees	8 / 10	8 / 10	8 / 10	8 / 10
4.2	Lowered mast height	h1 (mm)	2,235	2,220	2,220	2,220
4.3	Free lift	h2 (mm)	120	120	120	120
4.4	Lift height	h3 (mm)	3,020	3,020	3,020	2,930
4.5	Extended mast height	h4 (mm)	4,224	4,224	4,235	4,147
4.7	Overhead guard (cab) height	h5 (mm)	2,240	2,240	2,240	2,240
4.8	Seat height / standing height	h7 (mm)	1,321	1,310	1,310	1,309
4.12	Coupling height	h10 (mm)	417	412	412	410
4.19	Overall length	l1 (mm)	4,145	4,205	4,405	4,435
4.20	Length to face of forks	l2 (mm)	3,079	3,139	3,189	3,254
4.21	Overall width	b1 (mm)	1,370	1,746	1,746	1,746
4.22	Fork dimensions	s / e / l1 (mm)	50 x 122 x 1,070	50 x 150 x 1,070	50 x 150 x 1,220	60 x 150 x 1,200
4.23	Fork carriage ISO 2328, class / type A,B		III / A	III / A	IV / A	IV / A
4.24	Fork-carriage width	b12 (mm)	1,300	1,600	1,600	1,600
4.31	Ground clearance, loaded, under mast	m1 (mm)	170	155	155	155
4.32	Ground clearance, centre of wheelbase	m2 (mm)	212	207	206	205
4.33	Aisle width for pallets 1000x1200 crossways	Ast (mm)	4,567	4,620	4,686	4,708
4.34	Aisle width for pallets 800x1200 lengthways	Ast (mm)	4,767	4,820	4,886	4,908
4.35	Turning radius	Wa (mm)	2,806	2,859	2,905	2,947
4.36	Smallest pivot point distance	b13 (mm)	1,009	1,009	1,009	1,009
Performance Data						
5.1	Travel speed, Unloaded	km/h	23.7	22.9	22.9	22.8
5.2	Lift speed, Loaded/Unloaded	mm/s	510 / 530	510 / 530	510 / 530	440 / 460
5.3	Lowering speed, Loaded/Unloaded	mm/s	500 / 450	500 / 450	500 / 450	500 / 450
5.6	Max. Drawbar pull, Loaded	N	39,313	39,531	38,122	38,184
5.8	Max. Gradeability, Loaded	%	40.5	35.8	31.2	28.6
5.10	Service brake		Hydraulic	Hydraulic	Hydraulic	Hydraulic
Engine						
7.1	Engine manufacturer / type		GM 4.3L	GM 4.3L	GM 4.3L	GM 4.3L
7.2	Engine power acc. to ISO 1585	kW/rpm	77 / 2,300	77 / 2,300	77 / 2,300	77 / 2,300
7.3	Maximum torque	kgf-m/rpm	34 / 1,400	34 / 1,400	34 / 1,400	34 / 1,400
7.4	No. of cylinder / cubic capacity	/cm <sup>3</sup>	6 / 4,294	6 / 4,294	6 / 4,294	6 / 4,294
Other Details						
8.1	Type of drive control		Power Shift	Power Shift	Power Shift	Power Shift
8.2	Operating pressure, system / attachments	bar	207 / 147	207 / 147	207 / 147	207 / 147
8.3	Oil volume for attachments	l/min	76	76	76	76
8.4	Noise	db(A)	80	80	80	80